

**WALLBOX COPPER B**

# SINGLE WALLBOX PEDESTAL PULSAR

## 1.- MAIN FEATURES

CAPACITY: 1 WALLBOX

MATERIAL: ALUMINUM 5754/ STEEL S-350GDZ275

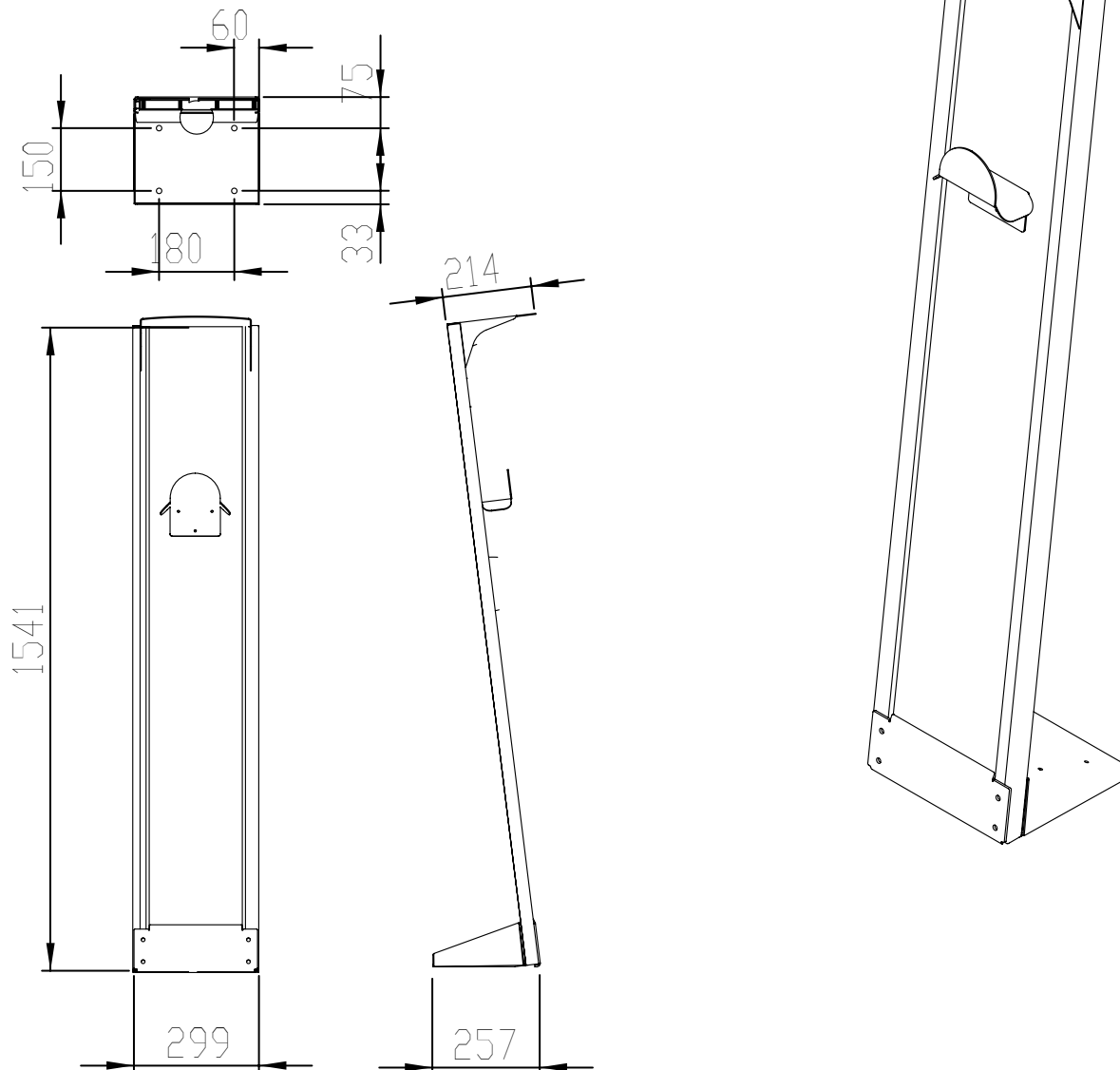
HOUSING THICKNESS: 2,5mm

WEIGHT: 10kg

RECOMMENDED FOUNDATION: 400x400x300mm

FIXATION: M12

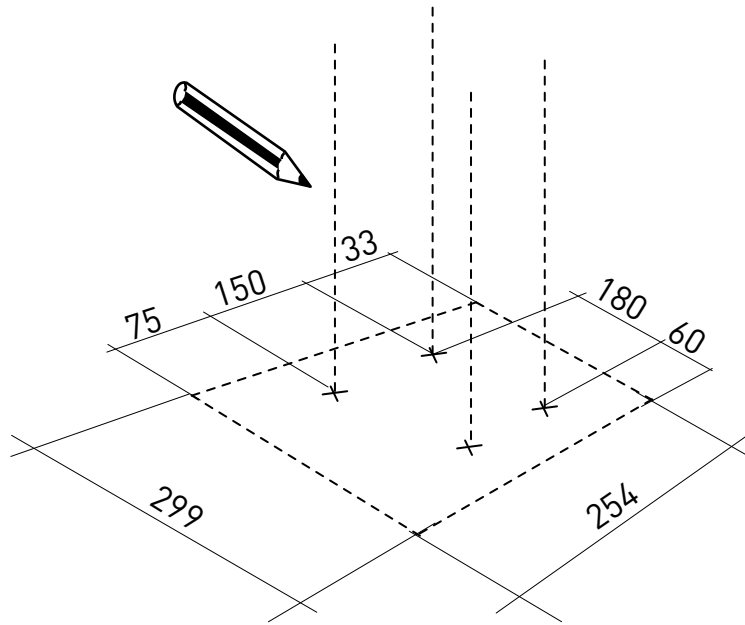
## 2.- DIMENSIONS



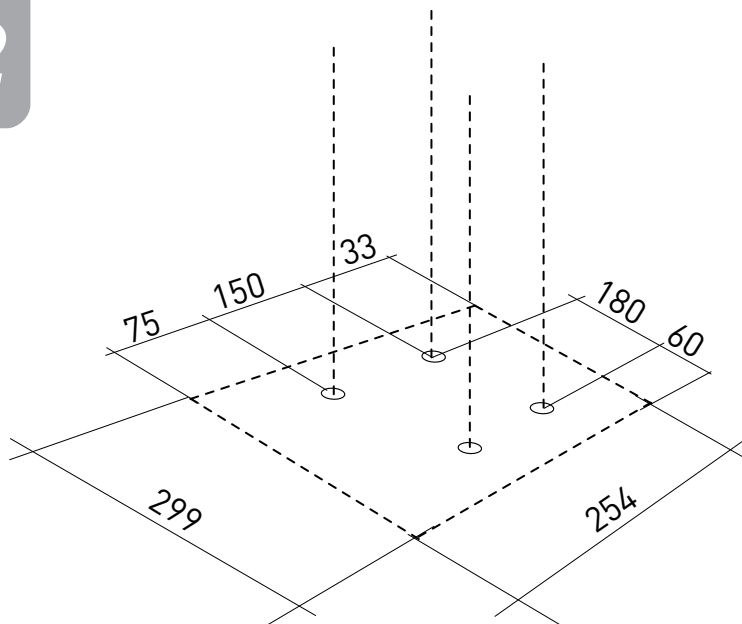
# QUICK INSTALLATION GUIDE

## 3.- INSTALLATION

1



2

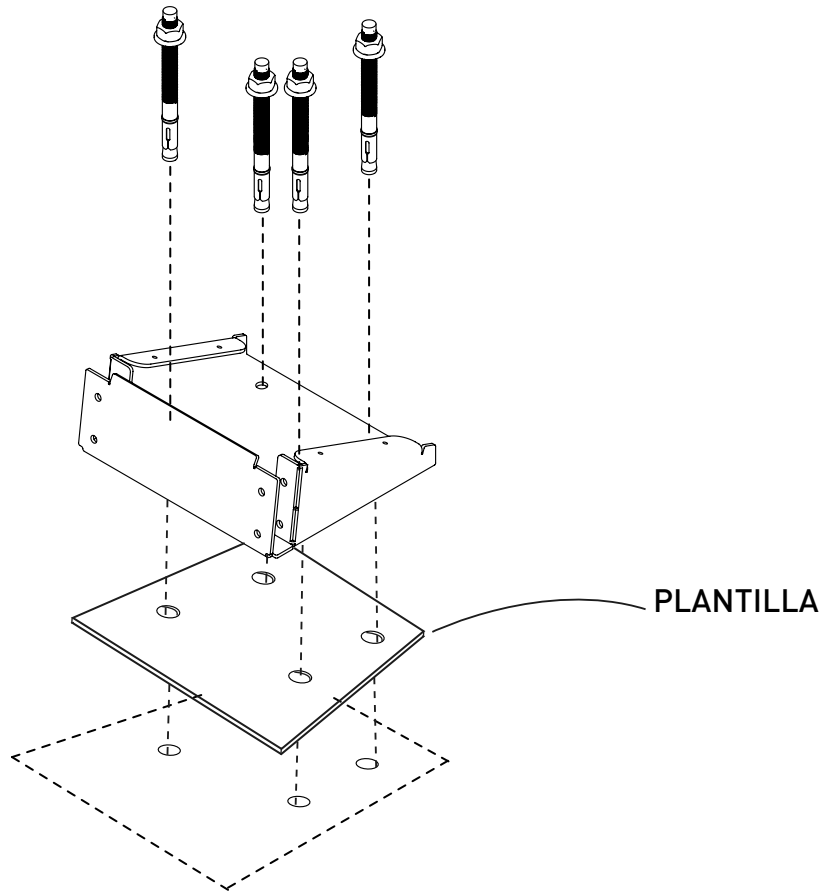


## QUICK INSTALLATION GUIDE

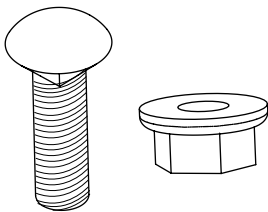
3



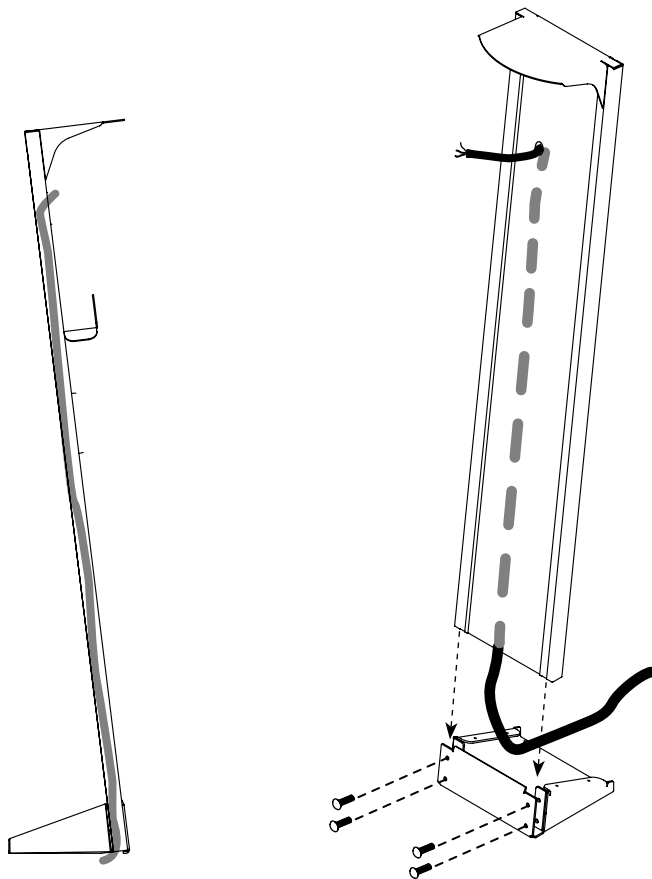
4x  
M12



4



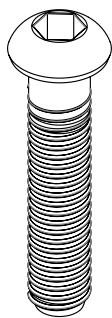
4x  
DIN603  
M8



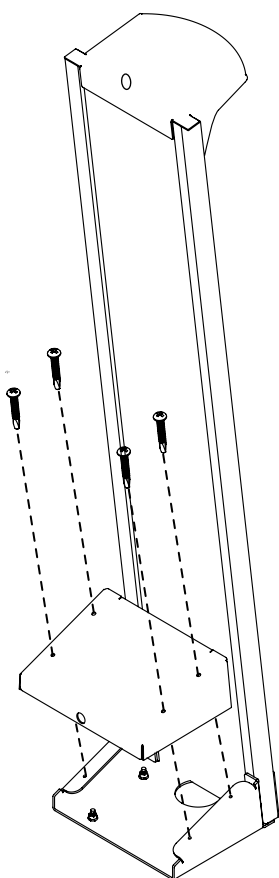
## QUICK INSTALLATION GUIDE

---

5

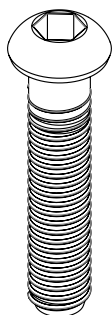


**4x**  
ISO7380  
M6



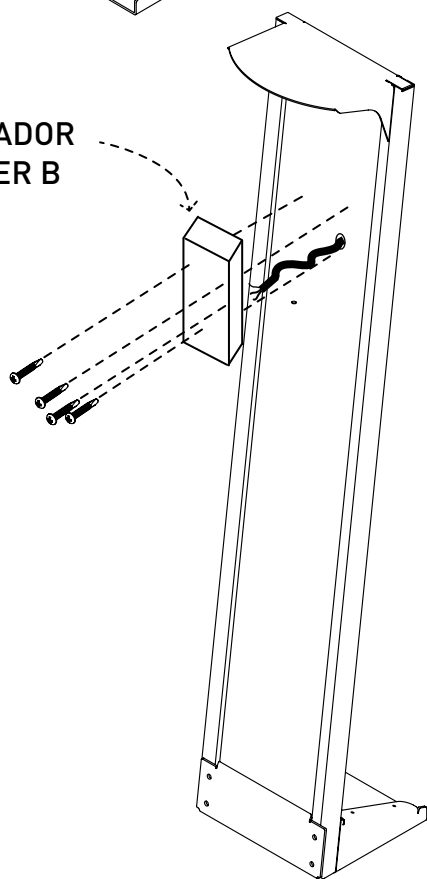
6

COLOCACIÓN  
CARGADOR



**4x**  
ISO7380  
M5

CARGADOR  
COPPER B

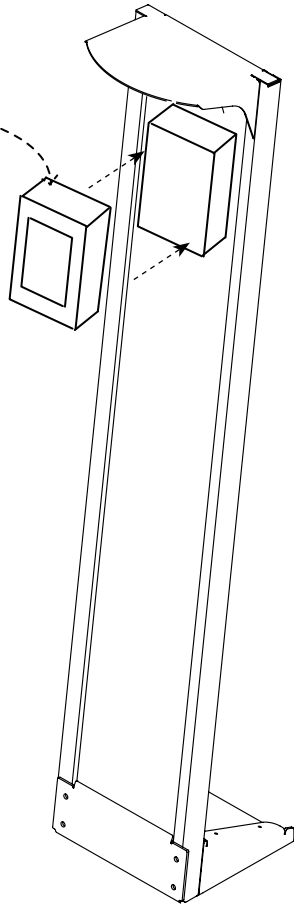


## QUICK INSTALLATION GUIDE

7

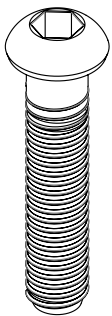
COLOCACIÓN  
TAPA

CARGADOR  
COPPER B



8

CARGADOR  
COPPER B



3x  
ISO7380  
M5

